

Temperature Transducer Model DL/TE

Digital Indicator (DL/TE/I) (optional)

Technical Specifications Assembly Diagram



Temperature Transducer/Indicator Model DL/TE

Technical Characteristics

Electrical, Environmental and Housing Characteristics	
Supply	Universal 80 – 265 V
Supply isolation	1500 V (power supply against any other terminal)
Operating temperature	-10 to 85 °C
Storage temperature	-10 to 85 °C
Operating humidity	10 to 95% without condensation
Electromagnetic compatibility	Immune up to 0.5 mT
Electrostatic compatibility	Immune
Consumption	≤ 1.5 W
Housing and connection diagram	1 input / 1 output part: see dwg. TR003 rev. 1 1 input / 2 output part: see dwg. DL/TE 45 rev. 4 2 input / 2 output part: see dwg. DL/TE 45 rev. 2
Assembly	DIN 35 mm rail
Dimensions (W x H x L)	75 x 22 x 110 mm
Weight	210 g
Wire cross section	≤ 2.5 mm ²
Proof tests	Impulse voltage, according to NBR 716 and IEC 255.5 Switching surge, according to ANSI C. 3790 a. Applied voltage/ground, 2000 V, 50/60Hz, 1 min. Megger 500 Vdc: isolation better than 100 MΩ

Technical Characteristics - Sensor	
Sensor type	PT-100, 3 wire configuration

Technical Characteristics - Transducer	
Precision	0.25% or 0.50% (user specified)
Proportional output	Voltage or current (user specified)
Temperature drift	0.1% / 10 °C
Response time	≤ 400 ms (0 to 90% of the output current)
Ripple	≤ 2%
Line resistance	$R_l \leq \frac{15}{I_{out} [Amperes]} [Ohms]$

Technical Characteristics - Indicator	
Display	3 ½ digits, 7 segment LED displays
Indication accuracy	0.5% ± 1 digit
Scale	User adjustable up to ± 5%

Available versions



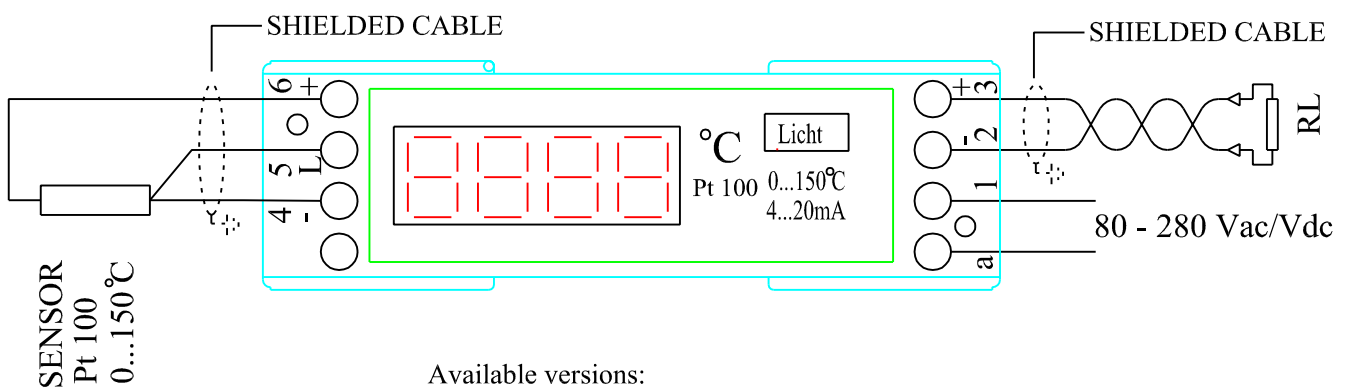
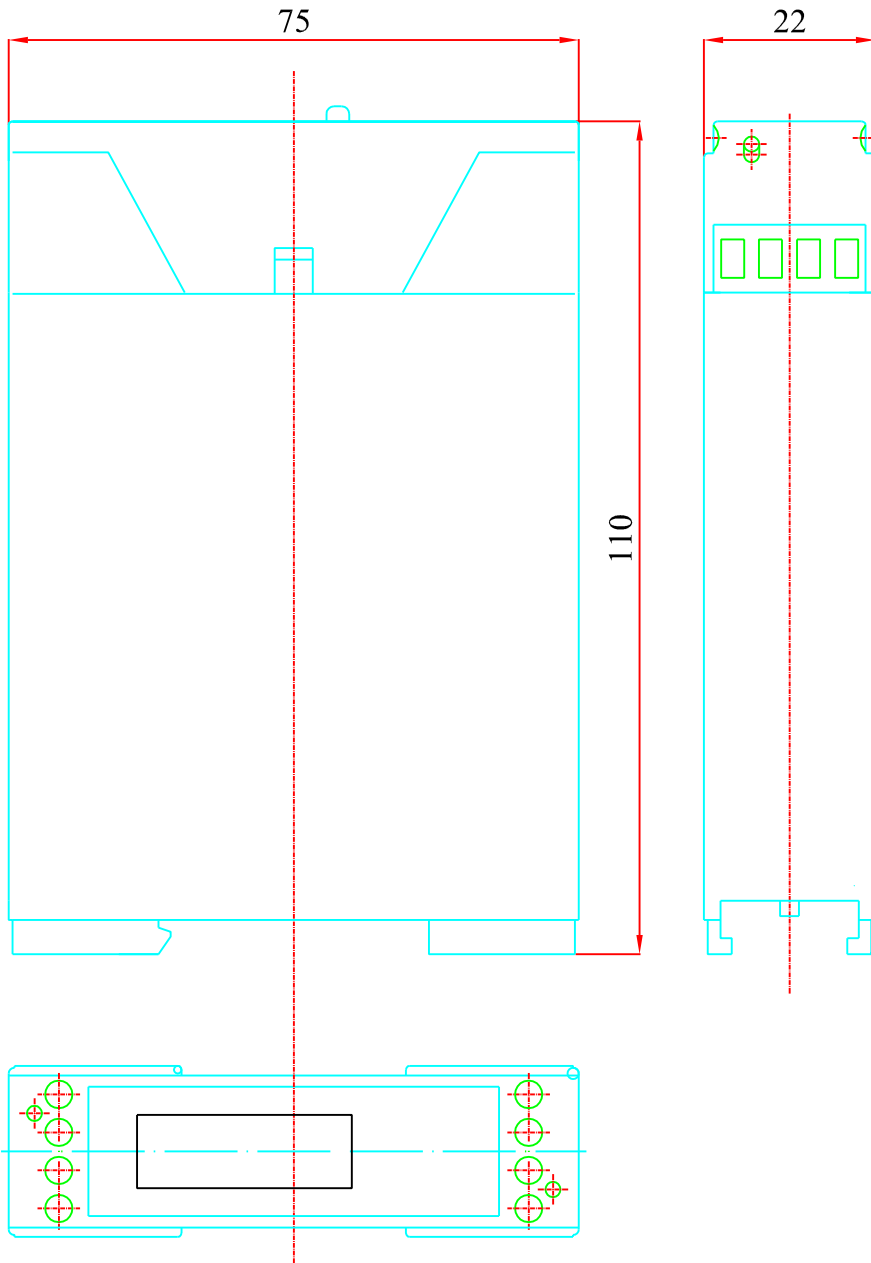
1 input / 1 output transducer



1 input / 2 output transducer

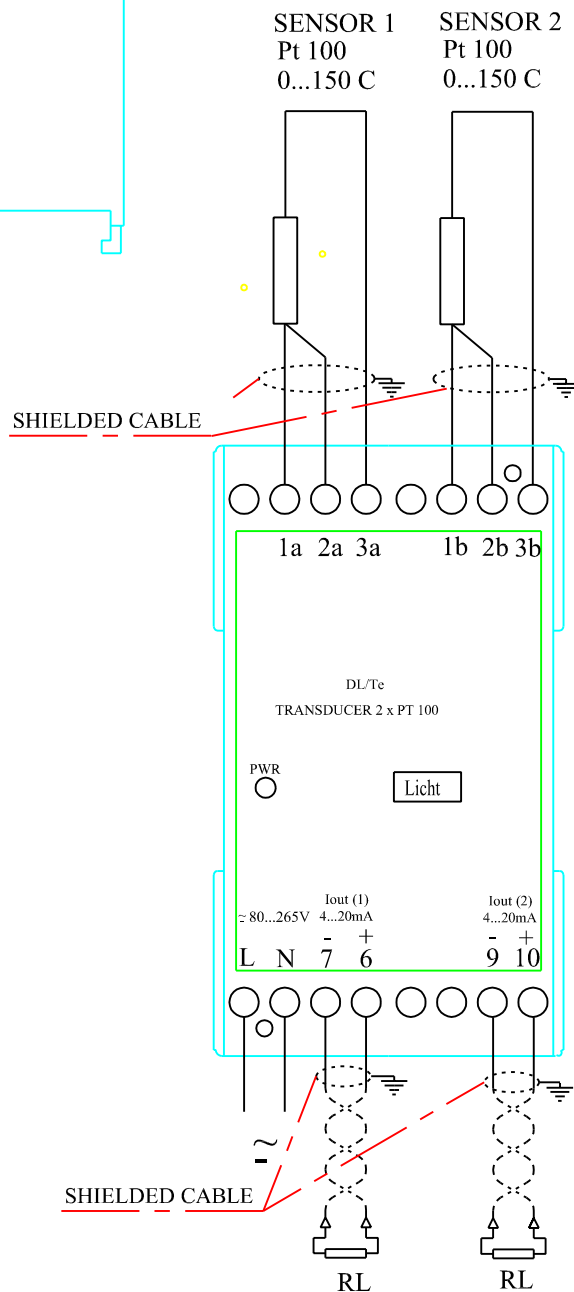
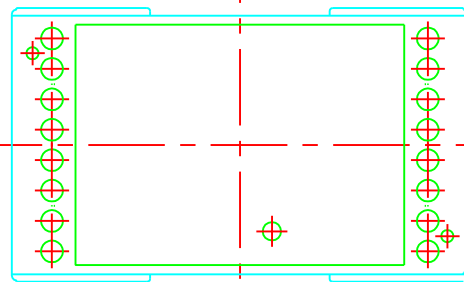
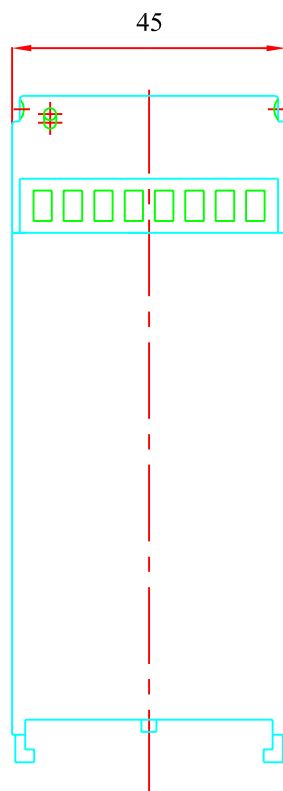
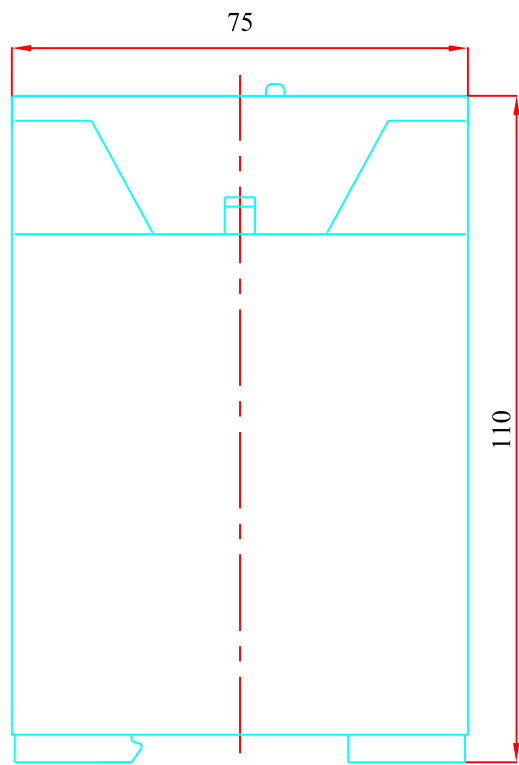


2 input / 2 output transducer

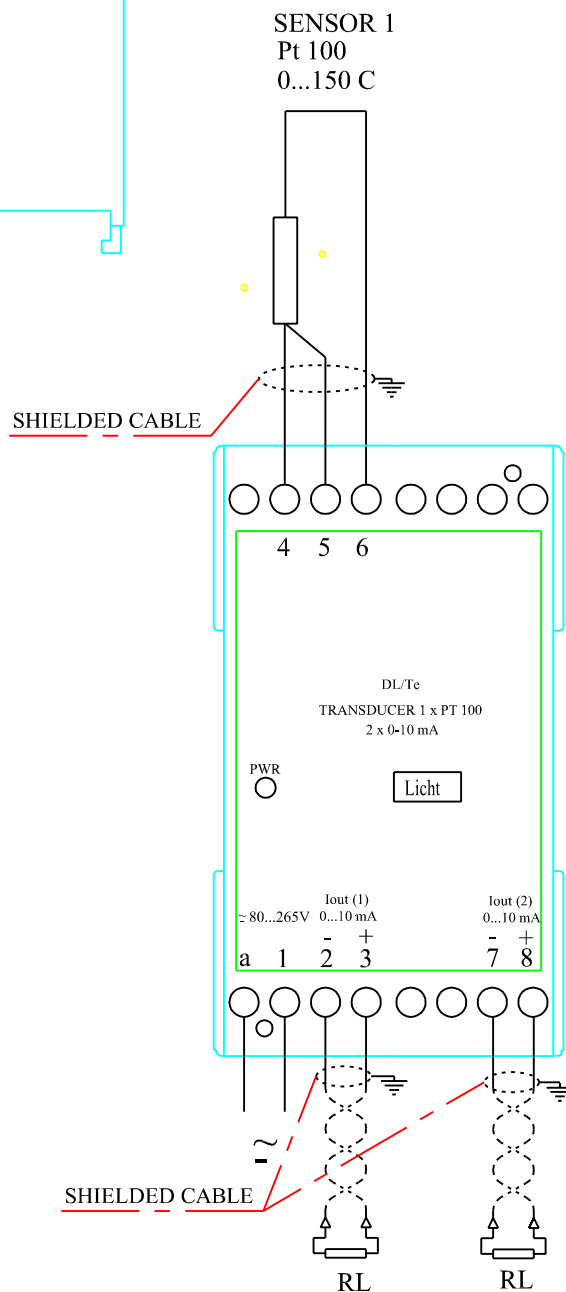
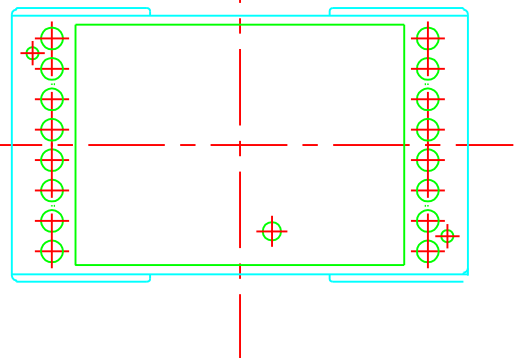
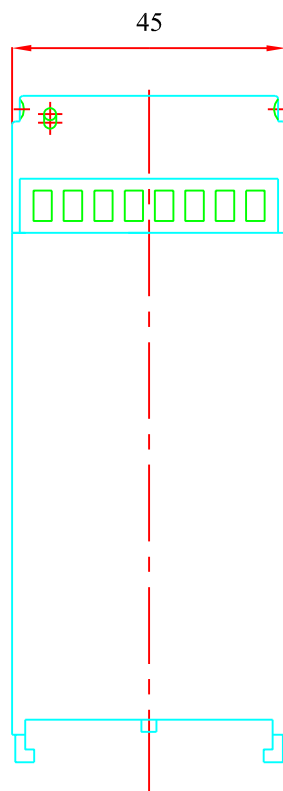
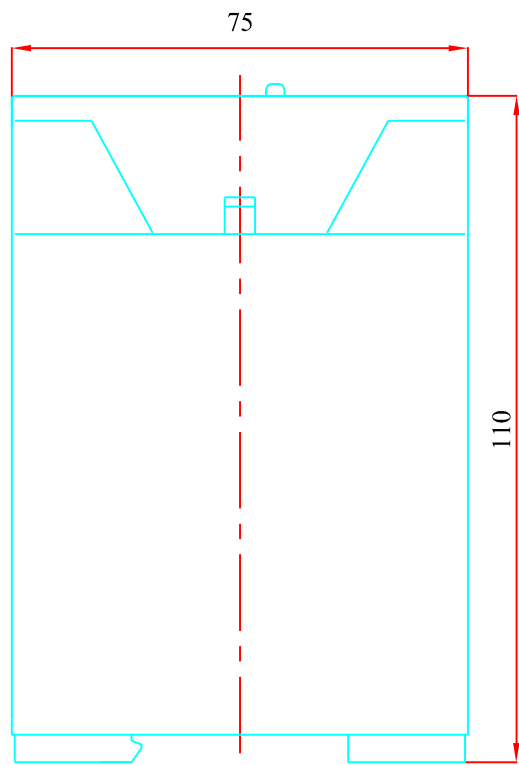


- Available versions:
1. DL/TE - Standalone transducer
 2. DL/TE/I - Transducer with indicator
 3. DL/I - Standalone indicator

Aceito Cont. Qualid.	Aceito Produção:	D/L TRANSDUCER/ INDICATOR	Escala Ref.	
Projeto Conf.	Des. Por. N/A			
Des. Conf.	Emit. Depto Data.	Dwg. TR003 – REV.1	Alt. Num.	Folha
Licht Eletro Eletrônica				1/1



Aceito Cont. Qualid.	Aceito Produção:	DL/TE TRANSDUCER 2 x PT100	Escala Ref.	
Projeto Conf.	Des. Por. ALEKS			
Des. Conf.	Emit. Depto Data. 25/07/07	Dwg. DL TE 45 - REV.2	Alt. Num.	Folha
Licht Eletro Eletrônica				1/1



Aceito Cont. Qualid.	Aceito Produção:	<h1 style="color: green;">DL/TE TRANSDUCER</h1> <h2 style="color: green;">1xPT100/2xIout (mA)</h2>	Escala Ref.	
Projeto Conf.	Des. Por. ALEKS			
Des. Conf.	Emit. Depto Data. 08 04 2008	<h1 style="color: green;">Dwg. DL TE 45 - REV.4</h1>	Alt. Num.	Folha 1/1
Licht Eletro Eletrônica				