

# Position Indicator Model TD200/SU

+

## Transducer (optional)

Technical Characteristics  
Assembly Diagram



# Position Transducer/Indicator Model TD200/SU

## Technical Characteristics

Electrical, Environmental and Housing Characteristics	
Supply	Universal 80 – 265 V
Supply isolation	1500 V (power supply against any other terminal)
Operating temperature	-10 to 85 °C
Storage temperature	-10 to 85 °C
Operating humidity	10 to 95% without condensation
Electromagnetic compatibility	Immune up to 0.5 mT
Electrostatic compatibility	Immune
Consumption	≤ 1.5 W
Housing and connection diagram	Dwg. TD200/SU rev. 0
Assembly	Front panel
Dimensions (W x H x L)	96 x 96 x 190 mm
Weight	390 g
Wire cross section	≤ 2.5 mm <sup>2</sup>
Proof tests	Impulse voltage, according to NBR 716 and IEC 255.5 Switching surge, according to ANSI C. 3790 a. Applied voltage/ground, 2000 V, 50/60Hz, 1 min. Megger 500 Vdc: isolation better than 100 MΩ

Technical Characteristics - Sensor	
Sensor options	3 wire potentiometric (e.g., 32x10Ω) Current (e.g., 4-20 mA) Voltage (e.g., 0-10V)

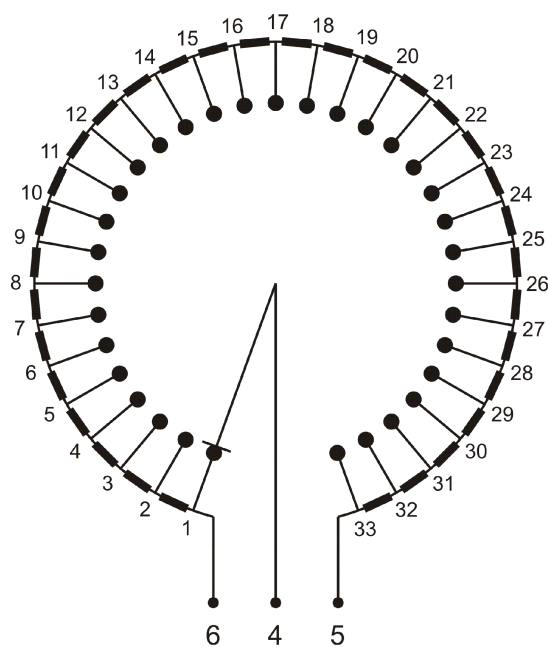
Technical Characteristics - Transducer	
Precision	0.25% or 0.50% (user specified)
Proportional output	Voltage or current (user specified)
Temperature drift	0.1% / 10 °C
Response time	≤ 400 ms (0 to 90% of the output current)
Ripple	≤ 2%
Line resistance	$R_l \leq \frac{15}{I_{out} [Amperes]} [Ohms]$

Technical Characteristics - Indicator	
Display	3 ½ digits, 7 segment LED displays
Indication accuracy	0.5% ± 1 digit
Scale	User adjustable up to ± 5%

The TD200/SU position indicator can be connected to any resistor association, regardless of the number of resistors or the resistance per position, as long as:

1. All resistors are identical.
2. The total resistance (of all associated resistors) is equal or greater than 30  $\Omega$ .

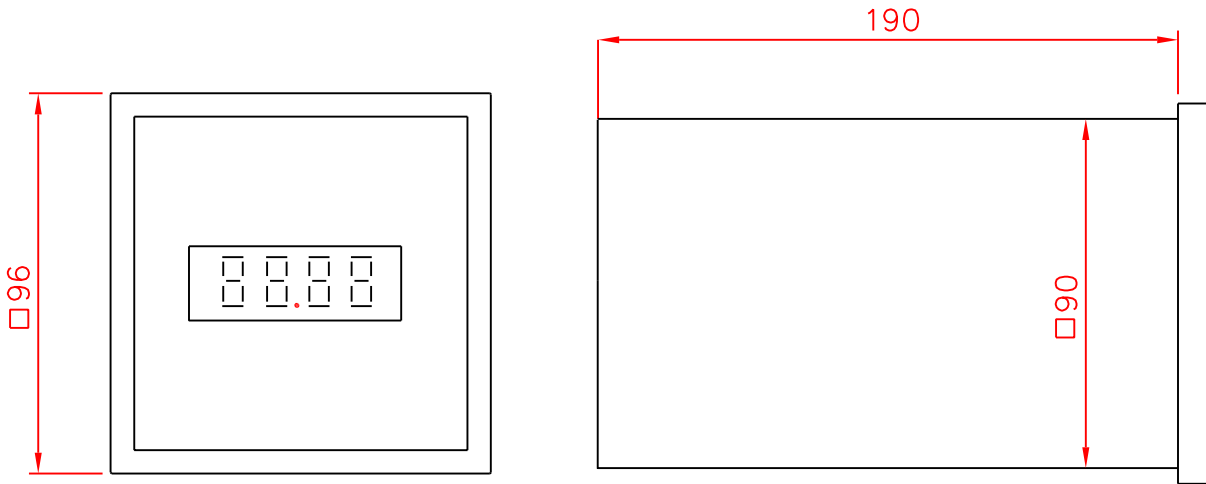
Note: No adjustment or calibration is required. The indicator automatically adjusts itself to each sensor (potentiometric disc).



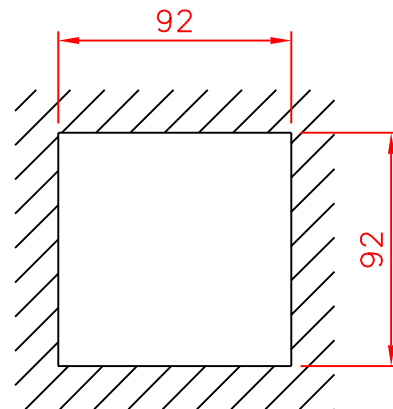
*Typical potentiometric disc  
(33 positions/32 resistors)*

DIGITAL POSITION INDICATOR  
 MOD TD 200/SU – Front Panel 96mm x 96mm

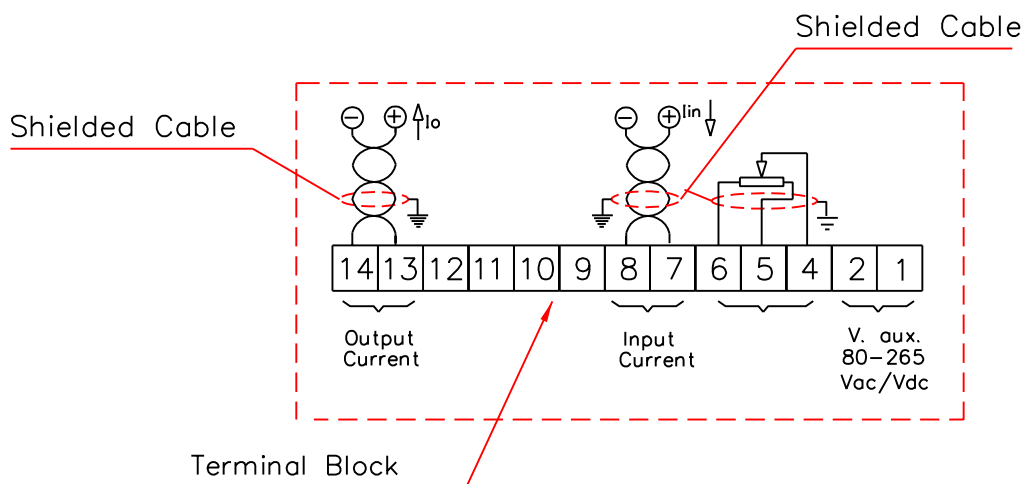
Dimensions in mm



Panel cut-out



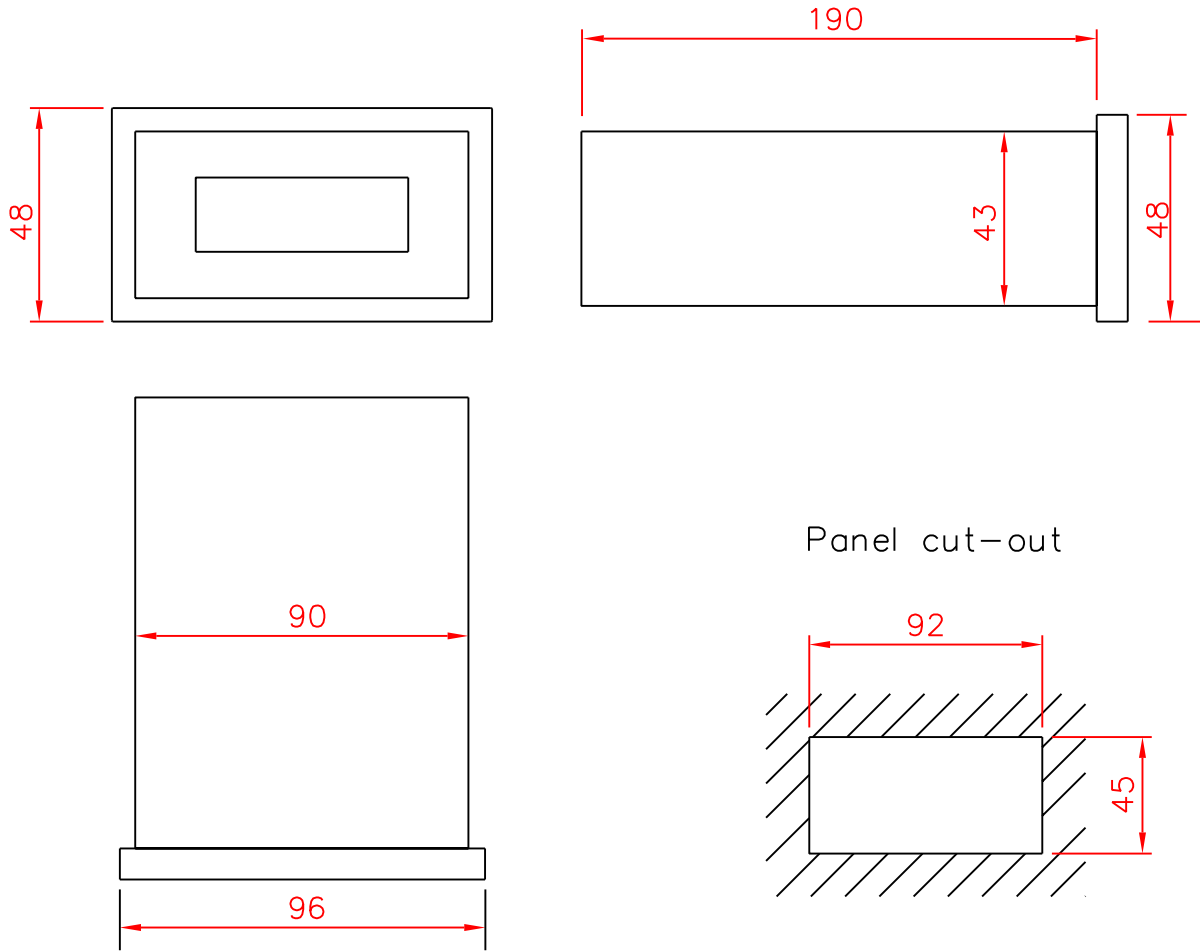
Electrical Diagram



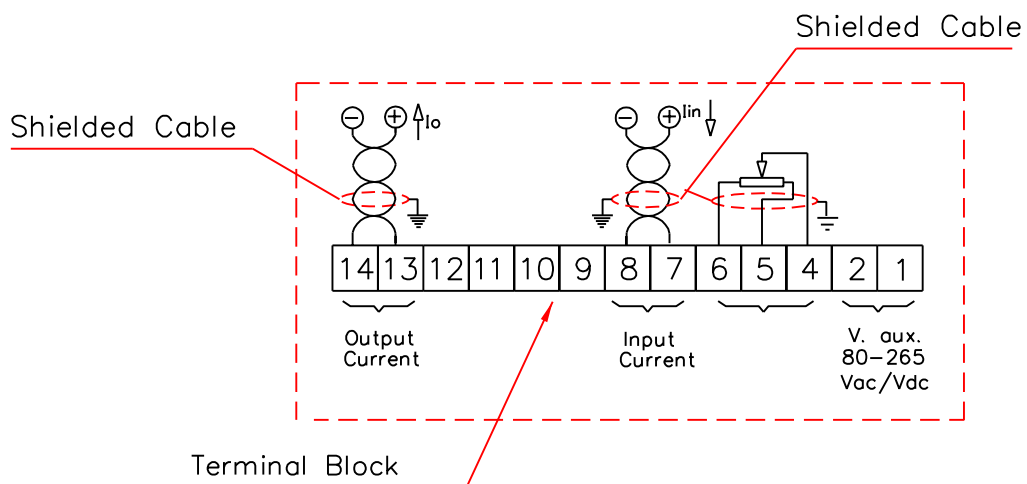
Aceito Cont. Qualid.	Aceito Produção:	<b>DIGITAL POSITION INDICATOR</b> <b>MOD. TD 200 / SU 96 x 96</b>	Escala Ref.	
Projeto Conf.	Des. Por. A.F.			
Des. Conf.	Emit. Depto Data. 14/04/08		Alt. Num.	Folha 1/2
Eletro Eletrônica		Dwg. TD 200 SU 14042008 Rev.0		

DIGITAL POSITION INDICATOR  
 MOD TD 200/SU – Front Panel 96mm x 48mm

Dimensions in mm



Electrical Diagram



Aceito Cont. Qualid.	Aceito Produção:	<b>DIGITAL POSITION INDICATOR</b> <b>MOD. TD 200 / SU 96 x 48</b>	Escala Ref.	
Projeto Conf.	Des. Por. A.F.			
Des. Conf.	Emit. Depto Data. 14/04/08		Alt. Num.	Folha 2/2
<b>Licht Eletro Eletrônica</b>		<b>Dwg. TD 200 SU 14042008 Rev.0</b>		