

# Temperature Indicator Model TD 200/TE

+

## Transducer (optional)

Technical Characteristics  
Assembly Diagram



# Temperature Transducer/Indicator Model TD200/TE

## Technical Characteristics

Electrical, Environmental and Housing Characteristics	
Supply	Universal 80 – 265 V
Supply isolation	1500 V (power supply against any other terminal)
Operating temperature	-10 to 85 °C
Storage temperature	-10 to 85 °C
Operating humidity	10 to 95% without condensation
Electromagnetic compatibility	Immune up to 0.5 mT
Electrostatic compatibility	Immune
Consumption	≤ 1.5 W
Housing and connection diagram	Dwg. TD200/TE rev. 0
Assembly	Front panel
Dimensions (W x H x L)	96 x 96 x 190 mm
Weight	390 g
Wire cross section	≤ 2.5 mm <sup>2</sup>
Proof tests	Impulse voltage, according to NBR 716 and IEC 255.5 Switching surge, according to ANSI C. 3790 a. Applied voltage/ground, 2000 V, 50/60Hz, 1 min. Megger 500 Vdc: isolation better than 100 MΩ

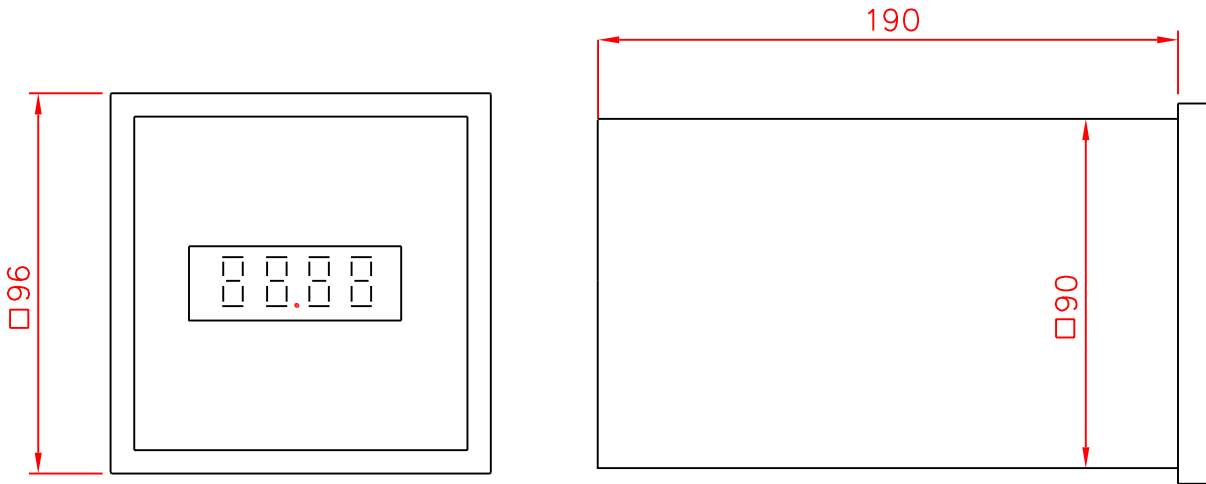
Technical Characteristics - Sensor	
Sensor type	PT-100, 3 wire configuration

Technical Characteristics - Transducer	
Precision	0.25% or 0.50% (user specified)
Proportional output	Voltage or current (user specified)
Temperature drift	0.1% / 10 °C
Response time	≤ 400 ms (0 to 90% of the output current)
Ripple	≤ 2%
Line resistance	$R_l \leq \frac{15}{I_{out} [Amperes]} [Ohms]$

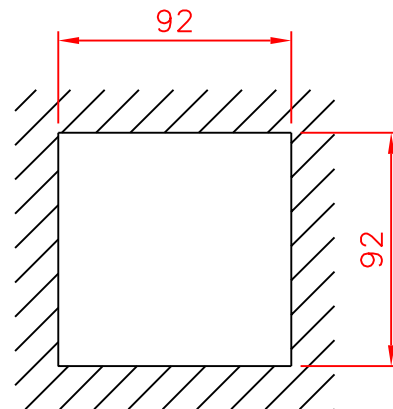
Technical Characteristics - Indicator	
Display	3 ½ digits, 7 segment LED displays
Indication accuracy	0.5% ± 1 digit
Scale	User adjustable up to ± 5%

DIGITAL TEMPERATURE INDICATOR  
 MOD TD 200/TE – Front Panel 96mm x 96mm

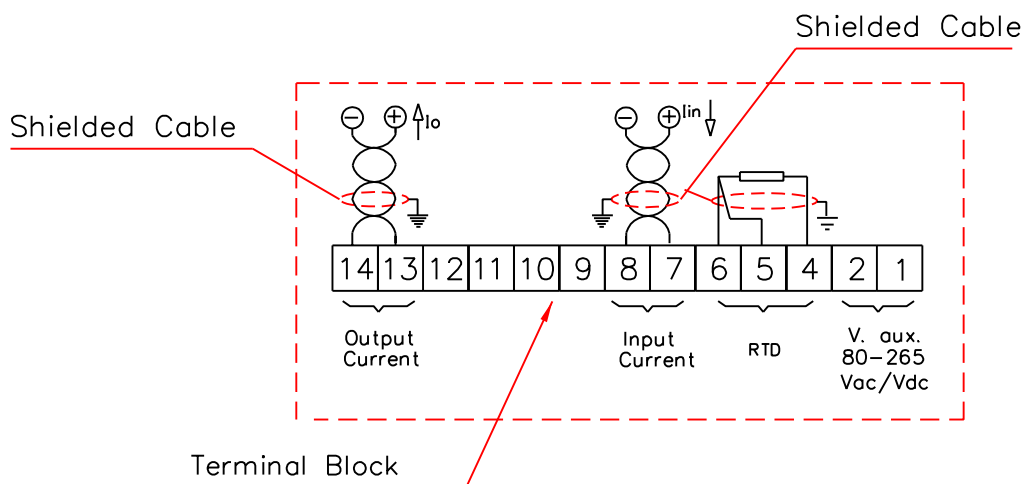
Dimensions in mm



Panel cut-out



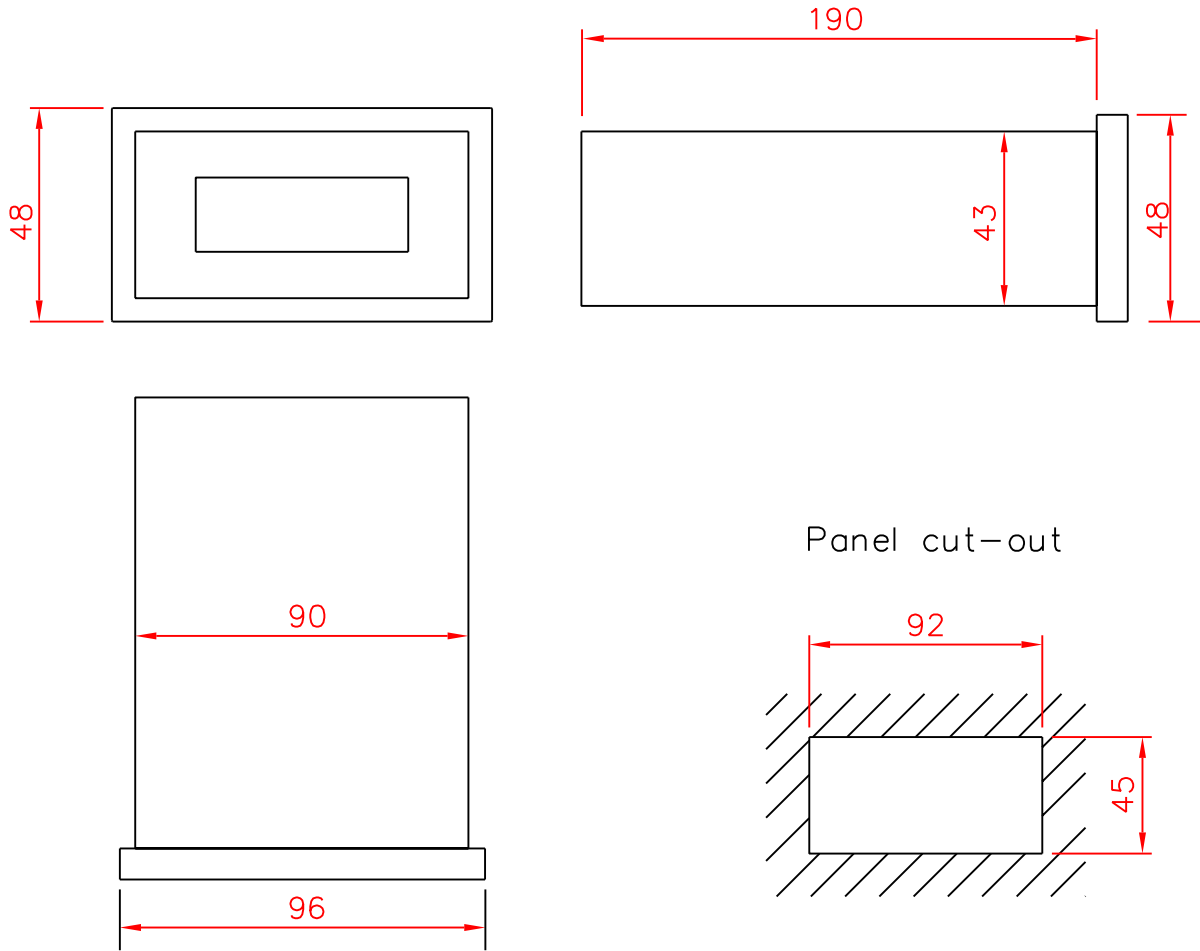
Electrical Diagram



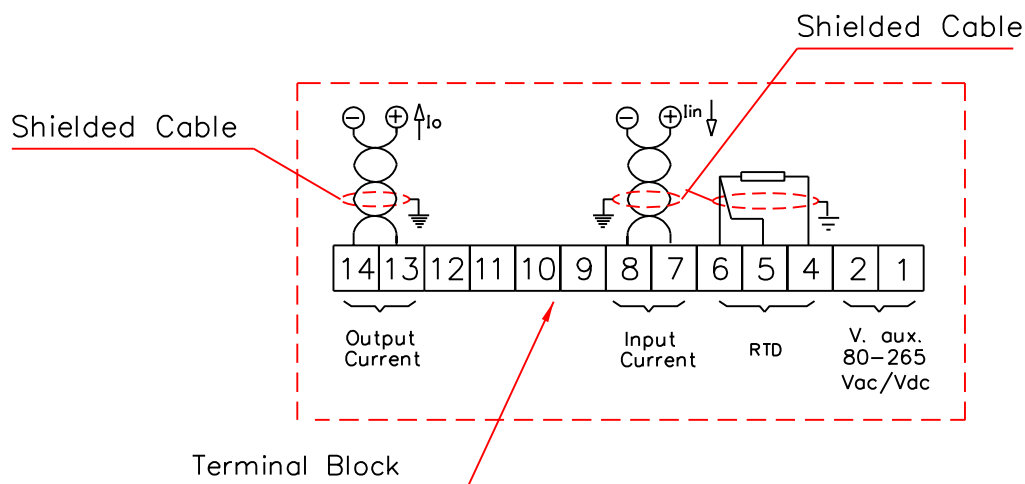
Aceito Cont. Qualid.	Aceito Produção:	DIGITAL TEMPERATURE INDICATOR MOD. TD 200 / TE 96 x 96	Escala Ref.	
Projeto Conf.	Des. Por. A.F.			
Des. Conf.	Emit. Depto Data. 14/04/08		Alt. Num.	Folha 1/2
<b>Licht Eletro Eletrônica</b>		Dwg. TD 200 TE 14042008 Rev.0		

DIGITAL TEMPERATURE INDICATOR  
 MOD TD 200/TE – Front Panel 96mm x 48mm

Dimensions in mm



Electrical Diagram



Aceito Cont. Qualid.	Aceito Produção:	<b>DIGITAL TEMPERATURE INDICATOR</b> <b>MOD. TD 200 / TE 96 x 48</b>	Escala Ref.	
Projeto Conf.	Des. Por. A.F.			
Des. Conf.	14/04/08 20/07/07		Alt. Num.	Folha 2/2
Eletro Eletrônica		Dwg. TD 200 TE 14042008 Rev.0		